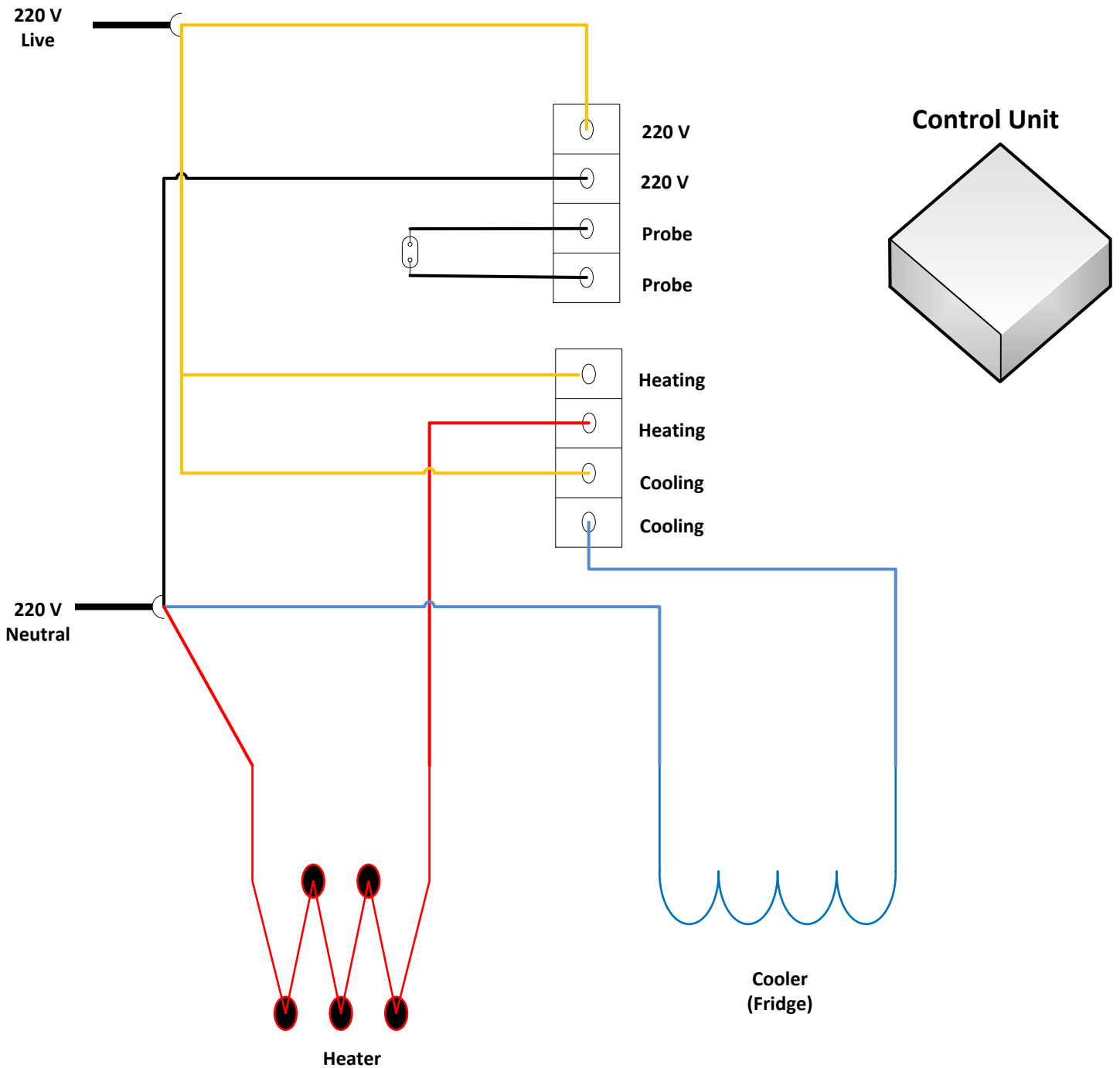


STC-1000 Connections



Please remember that the relays are rated at 10 Amps and will burn if higher amperage is used. If you need higher amperage, please use an external relay.